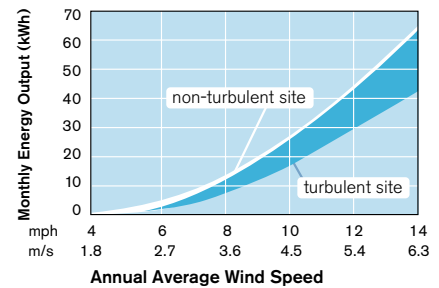
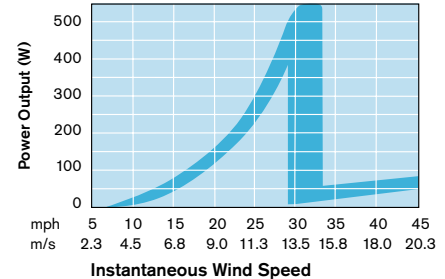


AIR-X LAND/MARINE

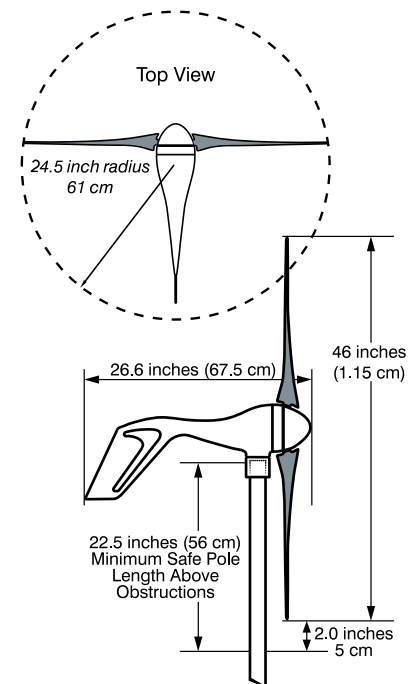
Technical Specifications

Rotor Diameter	46 inches / 1.15 m
Weight	13 lbs / 5.85 kg
Shipping Dimensions	27 x 15 x 9" (686 x 38 x 228 mm) 17 lbs. (7.7 kg)
Mount	1.5" schedule 40 pipe (1.9" / 48 mm OD)
Start-Up Wind Speed	8 mph / 3.58 m/s
Voltage	12, 24, and 48 VDC
Rated Power	400 watts at 28 mph / 12.5 m/s
Turbine Controller	Microprocessor-based smart internal regulator with peak power tracking
Body	Cast aluminum (AirX Marine is powder coated for corrosion protection)
Blades	3-Carbon fiber composite
Overspeed Protection	Electronic torque control
Kilowatt Hours per Month	38 kWh/mo @12 mph / 5.4 m/s
Survival Wind Speed	110 mph / 49.2 m/s
Warranty	3 Year Limited Warranty

Performance Curves



Sphere of Operation



Southwest Windpower

1801 W. Route 66 • Flagstaff, AZ 86001
Tel 928.779.9463 • Fax 928.779.1485
www.windenergy.com

Makers of **MADE IN THE USA**
Skystream 3.7™
Air
Whisper 100/200/500